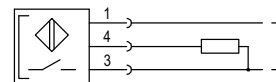


**magnetic field sensor
normally open-PNP
compact design**

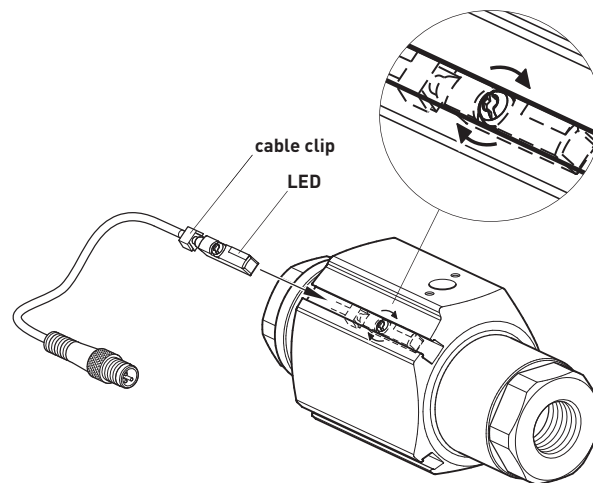


wiring diagram



technical data

type	BMF 235K-PS-C-2A-SA2-S49-00,3
function	normally open-PNP
ambient temperature	- 25°C ... + 85°C
switching frequency	max. 3000 Hz
rated operating voltage	24,0 V
operating voltage	10,0 ... 30,0 V
rated operating current	200 mA
ripple	max. 15%
short-circuit protected	yes
polarity reversal protected	yes
voltage drop static	max. 2,5 V
housing material	PA 12
connection	M8x1-Male, 3-pin
connection type	cable with connector 0.3m
protection	IP 67



Shift the valve to the desired sensing position (NO/NC). Move the sensor in the groove until the LED illuminates. Then tighten the holding screw for permanent fixation.