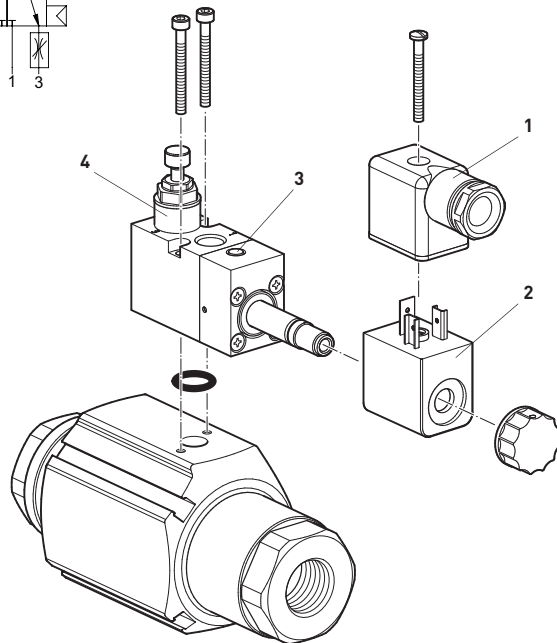
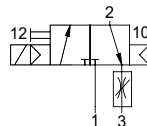
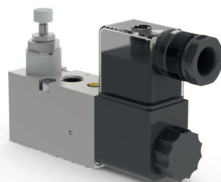


pilot valve
3/2 way
incl. throttle



- 1** plug
- 2** coil
- 3** manual override
- 4** silencer-throttle (adjustable)

technical data

type	MD 310 303
port connection threads	G 1/8
flow rate	280 Nl/min
pressure range	2 - 10 bar
temperature range	- 10°C ... + 50°C

accessories

coil / illuminated plug	Form B	24V DC - 4,8W
	Form B	110V AC - 8,4W
	Form B	230V AC - 7,9W
	M12x1 Desina	24V DC - 4,8W
	M12x1 VDMA	24V DC - 4,8W
	protection IP65	
energized duty rating 100%		